

# CONNETTORE SMA FEMMINA RP PER CAVO RG58/RG223/RG142/HF195

## TECHNICAL DATA

### Electrical

Impedance	50 Ω
Frequency range	0~6 GHz
Withstanding voltage	1000 V
Insulation resistance	≥5x10 <sup>3</sup> MΩ

### Mechanical & Environmental

Durability (matings)	>500
Temperature range	-55 °C ~ +165 °C
RoHS Compliant	Yes

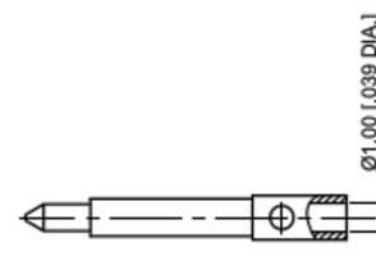
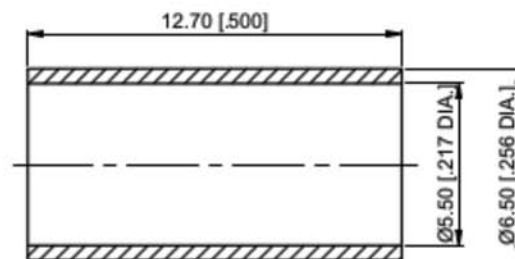
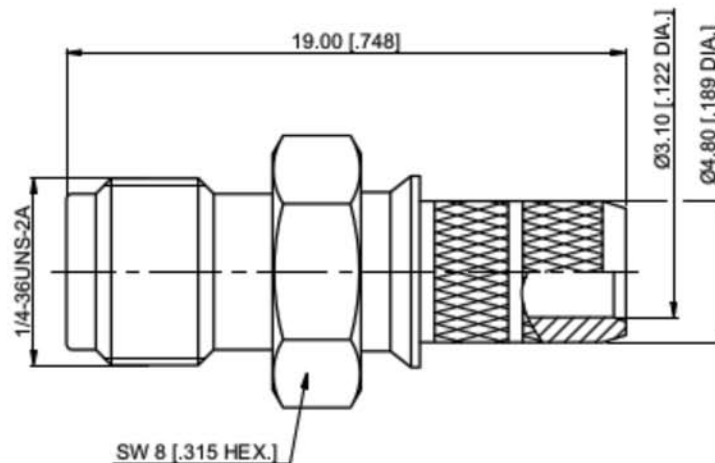
### Material & Finish

Body	Brass, Gold-plated
Pin Contact	Brass, Gold-plated
Crimp Ferrule	Copper, Nickel-plated
Insulator	PTFE

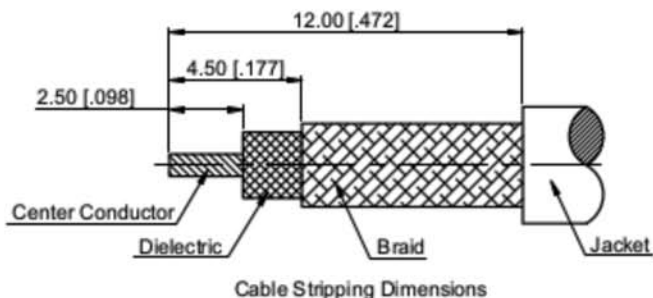
### Interface Standards

SMA	IEC-61169
-----	-----------

REVISIONS				
REV	DESCRIPTION OF REVISION	ECN No.	DATE	APPROVED
A	INITIAL RELEASE	---	03/03/2009	
B	STRUCTURE CHANGED	---	08/12/2015	



1. CRIMP FERRULE  
 HEX. CRIMP TOOL SIZE: 5.4 [.213]



- NOTES:
- ALL SPECIFICATIONS ARE SUBJECT TO CHANGE WITHOUT NOTICE AT ANY TIME
  - UNLESS OTHERWISE SPECIFIED ALL DIMENSIONS ARE NOMINAL.

UNLESS OTHERWISE SPECIFIED, DIMENSIONS ARE IN MILLIMETERS (INCHES).  
 UNLESS OTHERWISE SPECIFIED DIMENSIONAL TOLERANCES ARE:

.XX	±0.13 [0.005]
.X	±0.20 [0.008]
X	±0.50 [0.019]

ANGULAR TOLERANCES ARE: ALL=±1°

DO NOT SCALE DRAWING

PROJECTION:

DRAWN:	08/12/2015
CHECKED:	08/12/2015
APPROVED:	08/12/2015

TITLE:  
 RP SMA Straight Female  
 Crimp for LMR195/RG58 Cable

**SARTORI**  
 TRADE

PART No.:  
**cod. 208.0016**

SIZE: A4	SCALE: 4:1	SHEET: 1/1	REV: B
----------	------------	------------	--------