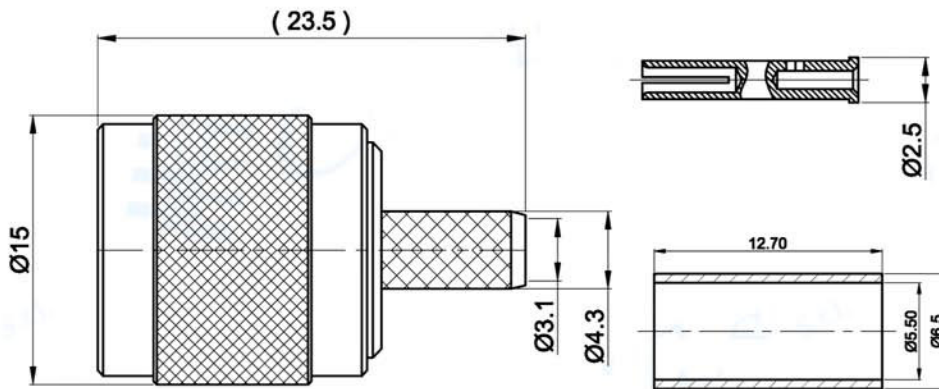


CONNETTORE TNC MASCHIO RP A CRIMPARE PER RG58/TWB1951



Catalogue Drawing:



All measures are in millimeters

Mechanical Data

Center contact	Solder	0.028 Sqr
Outer contact	Crimp	.255 Hex
Durability (matings)	> 500	
Weight	15 gr.	

Electrical Data

Impedance	50 Ω
Max Frequency	3 Ghz

CONNETTORE TNC MASCHIO RP A CRIMPARE PER RG58/TWB1951



Material Data

Part	Description	Plating
Pin Contact	Brass	Gold-Flash
Body	Brass	Nickel-Plated
Crimp Ferrule	Brass	Nickel-Plated
Insulator	PTFE	
Gasket	Silicone-Rubber	

Cable Strip Dimensions

	Length	
A	4.5 mm	
B	8 mm	
C	16.5 mm	

Suitable cables

- RG-223
- RG-142
- RG-400