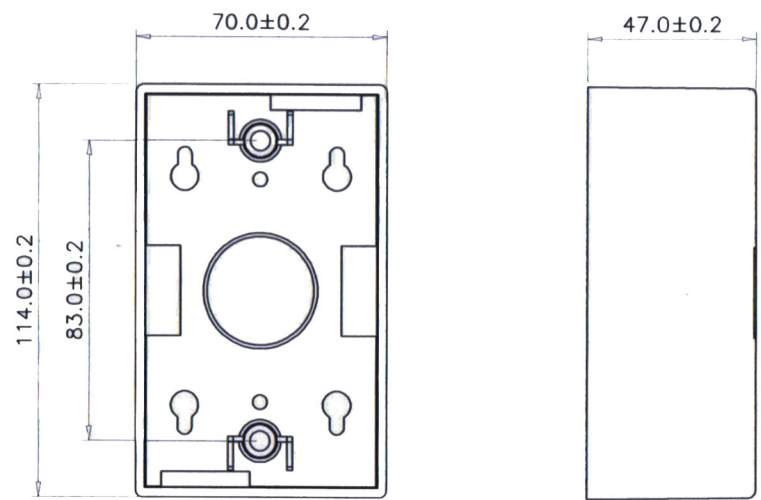


SCALE 1/2



Specification :

Material :

- 1. Box : ABS, UL 94V-0, with optional color.
- 2. Screw : M3.5X19.0X7.5mm.

