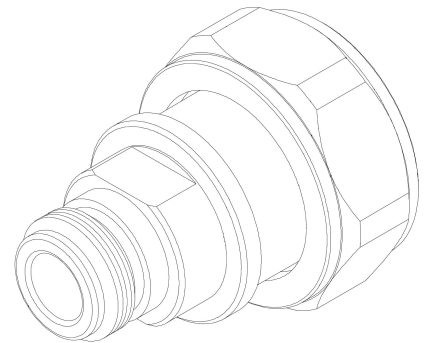
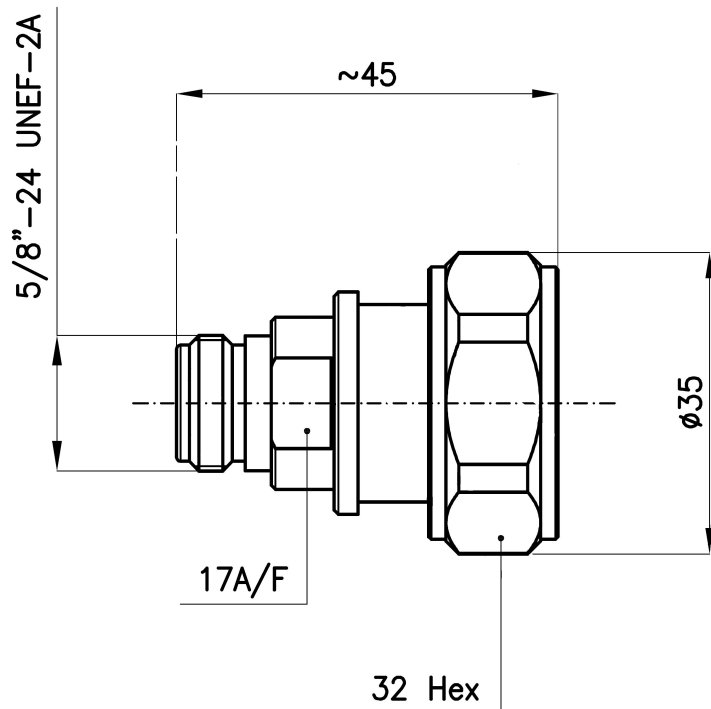


ADATTATORE 7/16 M - N F



CHARACTERISTICS

Interface dimensions:

-N series.....	acc. to spec. IEC 60169-16; CECC 122210
-7/16 series.....	acc. to spec. IEC 60169-4; CECC 122190
Impedance.....	50 Ω
V.S.W.R.....	$\leq 1,09$ (1,05 typical) up to 3GHz $\leq 1,12$ (1,06 typical) 3 to 6GHz

Material and finishings

Body.....	Brass,silver plated
Coupling nut.....	Brass,nickel plated
7/16 inner contact.....	Brass,silver plated
N inner contact.....	Spring bronze,silver plated
Insulator.....	PTFE
Gasket.....	Silicone rubber

RoHS compliant