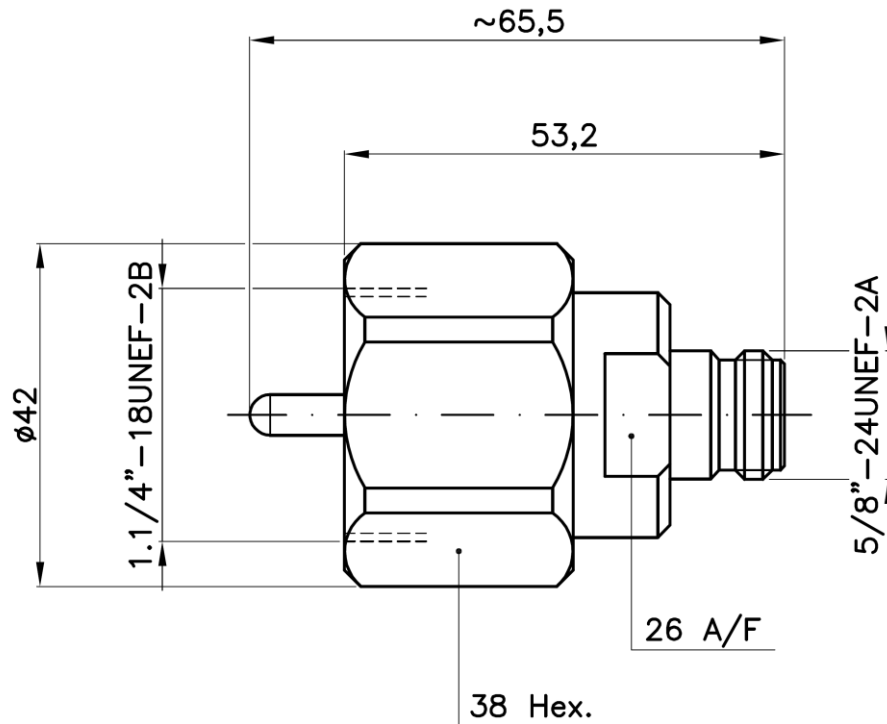


**ADATTATORE LC MASCHIO – N FEMMINA**

**cod. 221.0008**



**CHARACTERISTICS**

**Interface dimensions :**

LC side..... acc. to MIL-STD348

N side..... acc. to IEC 60169-16 ; CECC 22210

**Electrical**

Impedance.....  $50\Omega$

Frequency..... DC to 1GHz

Proof voltage..... 2,5KVe<sub>eff</sub>.

Power handling(V.S.W.R 1.0)..... 1KW at 1GHz (typical)

**Environmental**

Operating temperature.....  $-55^{\circ}\text{C}$  to  $+155^{\circ}\text{C}$