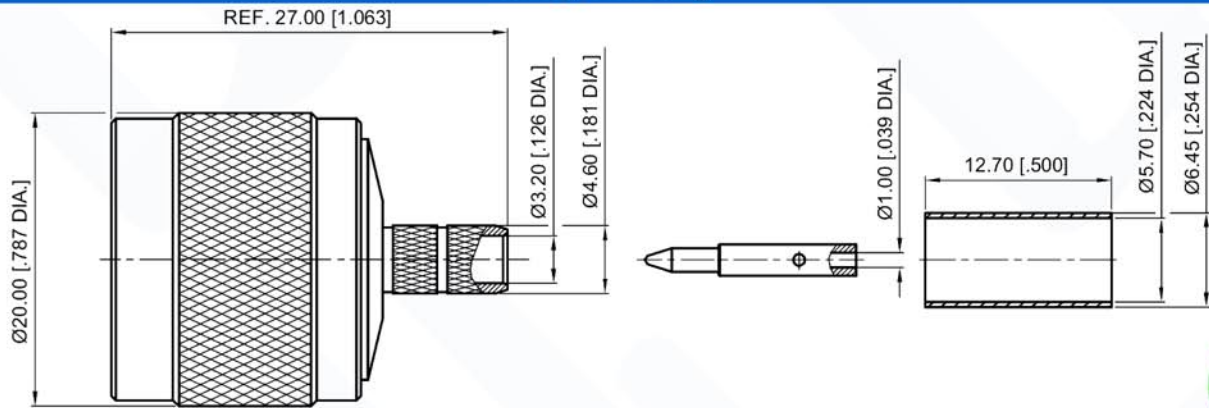


Description: N Straight Male Crimp.



Catalogue Drawing:



All measures are in millimeters

Mechanical Data

Interface According to	IEC-60169	
Center contact	Crimp/Solder	.068 Hex
Outer contact	Crimp	.213 Hex
Durability (matings)	> 500	
Weight	15 gr.	

Electrical Data

Impedance	50 Ω
Max Frequency	6 Ghz
Insulation resistance	≥5x103 MΩ
Withstanding voltage	1 000 V

Material Data

Part	Description	Plating
Pin Contact	Brass	Gold-plated
Body	Brass	Nickel-plated
Crimp Ferrule	Brass	Nickel-plated
Insulator	PTFE	
Gasket	Silicone-Rubber	

Cable Strip Dimensions

	Length	
A	4 mm	
B	7 mm	
C	16 mm	

Suitable cables

- RG-223
- RG-142