

Connettore N m per RG213/214/RT5020/TWB4001

CHARACTERISTICS

Interface dimensions..... acc. to IEC 60169-16; CECC 122210

Material and finishings

Body..... Brass-ternary alloy plated
 Center contact..... Brass-gold plated
 Insulator..... PTFE
 Other metal parts..... Brass-ternary alloy plated
 Gasket..... Silicone rubber

Suitable for cables

RG213/U..... \varnothing 10.3 nominal
 RG214/U..... \varnothing 10.8 nominal

Jacket diameter:

Electrical

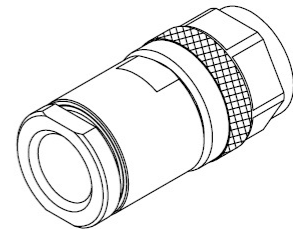
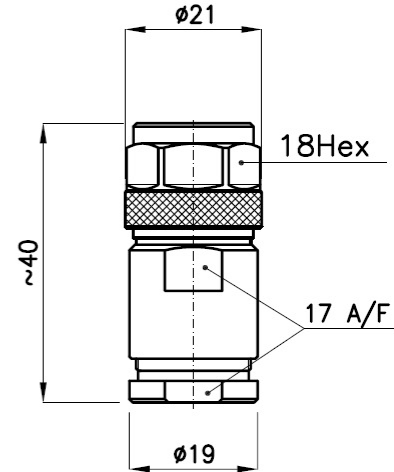
Impedance..... 50 Ω
 V.S.W.R..... \leq 1,08 (28dB) up to 2.5GHz
 Insertion loss..... \leq 0,05dB up to 5GHz
 Insulation resistance..... \geq 5G Ω
 Center contact resistance (initial)..... \leq 1m Ω
 Outer contact resistance (initial)..... \leq 0.25m Ω
 Proof voltage..... 2.5kVeff.
 Working voltage..... 1.4kVeff.

Mechanical

Coupling nut proof torque..... 1.7Nm
 Recommended coupling nut torque.. 0.7Nm to 1.1Nm
 Coupling nut retention..... \geq 450N
 Mating cycles..... \geq 500

Environmental

Operating temperature..... -40°C to +70°C
 Thermal shock..... as per CECC 122210 clause 4.6.7
 Corrosion(salt mist)..... as per CECC 122210 clause 4.6.10
 Vibration..... as per CECC 122210 clause 4.6.3
 Shock..... as per CECC 122210 clause 4.6.4



ASSEMBLY INSTRUCTIONS: 93.000.001.093

LOCAL APPROVAL BY I.S.T.C. WITH DECLARATION
 OF CONFORMITY N° ISPT/314/99/C012

RoHS compliant